

# NEWLONG

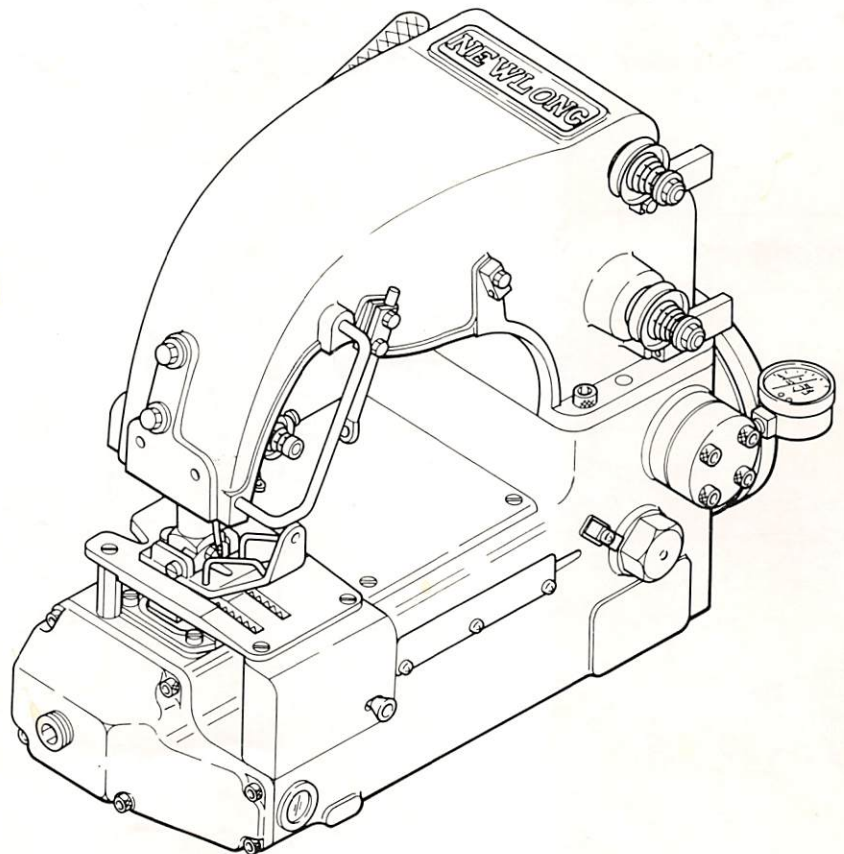
MODEL  
**DS-10**

SEALED PRESSURIZED FILLED BAG  
CLOSING MACHINE

INSTRUCTION MANUAL/PARTS LIST

FISCHBEIN 10000

**MODEL**  
**DS-10A**  
**DS-10C**



**ニューロング株式会社**  
NEWLONG MACHINE WORKS, LTD.

From the library of: Superior Sewing Machine & Supply LLC

**No.1**

## Identifying and Ordering Parts

Where the construction permits, each part is stamped with its part number. On all orders, please include part number, part name and model name of machine.

## Safety Rules

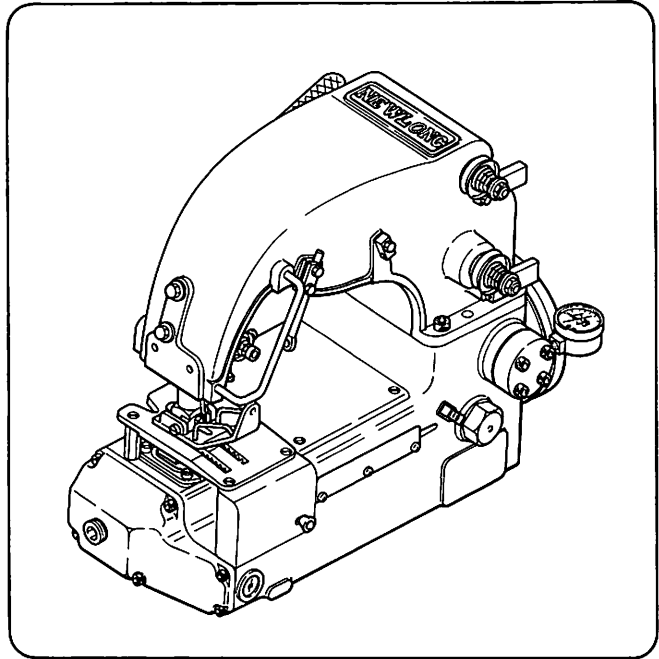
To prevent personal injury:

- All power sources to the machine must be turned off before threading, oiling, adjusting or replacing parts.
- All cover and guards must be in position before operating machine.
- Do not tamper with safety cover, guards, etc., while machine is in operation.

## Maintenance

Please keep in mind to handle the machine carefully and to maintain the machine in good condition.

- Thread fuzz or dust must be cleaned with air or brush on throat plate, in the groove of feed dog or around looper after the day's work.



**MODEL DS-10**

## CONTENTS

<b>1. INSTALLATION</b> .....	<b>2</b>
1-1 Motor Recommendations .....	2
1-2 Initial Lubrication .....	2
<b>2. MAINTENANCE</b> .....	<b>2</b>
2-1 Oil .....	2
2-2 Seals .....	2
2-3 Cleaning .....	2
2-4 Cold Area Operation .....	3
2-5 Running After Prolonged Shot-Down .....	3
2-6 Threading .....	3
2-7 Tensions .....	4
2-8 Needle Replacement .....	4
2-9 Stitch Length .....	4
2-10 Needle Thread Pull-Off .....	4
2-11 Looper .....	4
2-12 Looper Holder .....	4
2-13 Needle Guard .....	5
2-14 Presser Foot Spring Pressure .....	5
2-15 Feed Dog Height .....	5
<b>3. TROUBLE SHOOTER</b> .....	<b>5</b>
3-1 Synchronization .....	5
3-2 Oil .....	5
3-3 Thread Breakage Or Skipping Stitches .....	5
3-4 Failure To Chain Off After Bag Is Sewn .....	5
3-5 Uneven Stitch Length Or Poor Feeding .....	5
3-6 Excessive Needle Breakage .....	5

# 1. INSTALLATION

## 1-1 Motor Recommendations

Use a 0.75 KW (1/2 HP) 1725 R.P.M. (60 Hz) motor (1420 R.P.M. for 50 Hz). The variable pulley on the sewing head permits speed adjustment. Sewing head pulley must rotate clockwise.

## 1-2 Initial Lubrication

The sewing head is shipped from the factory oil filled.

At the beginning of each day or shift, make sure the oil level window at the lower portion of the sewing head shows oil at the "Oil Level" line. After about 30 seconds, the oil pressure gauge should read in the normal 0.2-0.65 kgf/cm<sup>2</sup> (3-9 pound) range. While the machine is running, the oil level window will show little or no oil. Never run machine if oil pressure gauge is in the red warning area.

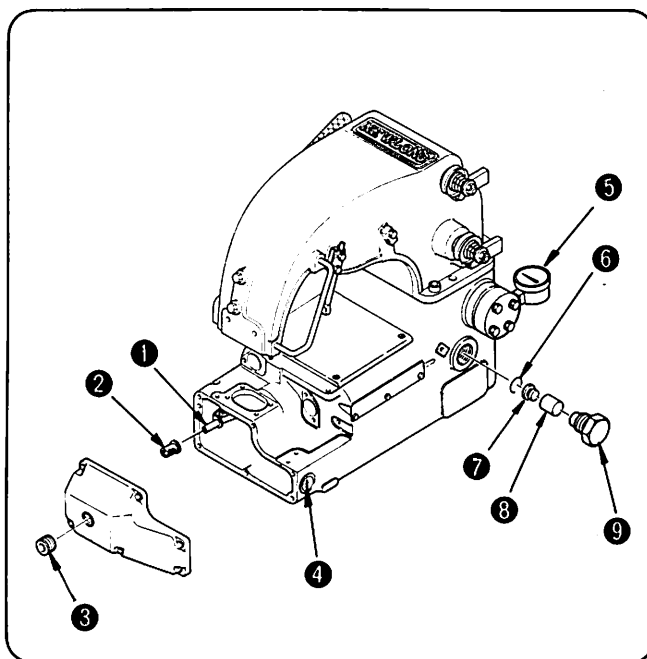
# 2. MAINTENANCE

## 2-1 Oil

Use special lubrication oil for the series DS-10 sewing head available from NEWLONG or its authorized representatives. As a substitute, any good grade of SAE 20 motor oil or its equivalent may be used. Three hundred cc (10 ounces) of oil will adequately fill the machine.

When adding or changing oil, remove breather plug and pour oil into breather plug hole. Fill until oil reaches "Oil Level" line on the oil level window. Never run machine if oil pressure gauge is in the red warning area. See Drawing 1.

To drain oil, remove magnetic drain plug and allow oil to drain. At oil change intervals, also clean oil intake filter and wipe any accumulation of particles off the magnetic drain plug. Inspect breather plug at least once a year and clean or replace foam filter element. Change oil every two months or 500 hours of operation, whichever comes first.



< Drawing 1 >

- |                       |                      |                        |
|-----------------------|----------------------|------------------------|
| ① Oil intake tube     | ④ Oil level window   | ⑦ Baffle               |
| ② Oil intake filter   | ⑤ Oil pressure gauge | ⑧ Breather plug filter |
| ③ Magnetic drain plug | ⑥ Snap ring          | ⑨ Breather plug        |

## 2-2 Seals

All seals must be handled with extreme caution. Any small amount of damage in handling or installation will permit leakage. When replacing a seal, saturate both it and the shaft thoroughly with oil before assembling. Never install a dry seal over a dry shaft.

## 2-3 Cleaning

Remove accumulations of lint from the looper area. If permitted to remain for long periods of time, these can set up a wicking action which will absorb oil from the machine. If the machine is operated around corrosive or sticky products, occasionally blow off or scrape such exposed parts as feed dog teeth, throat plate and presser foot. Also recommended is periodic hand oiling of presser foot hinge bolt and surfaces of cutting knife.

## 2-4 Cold Area Operation

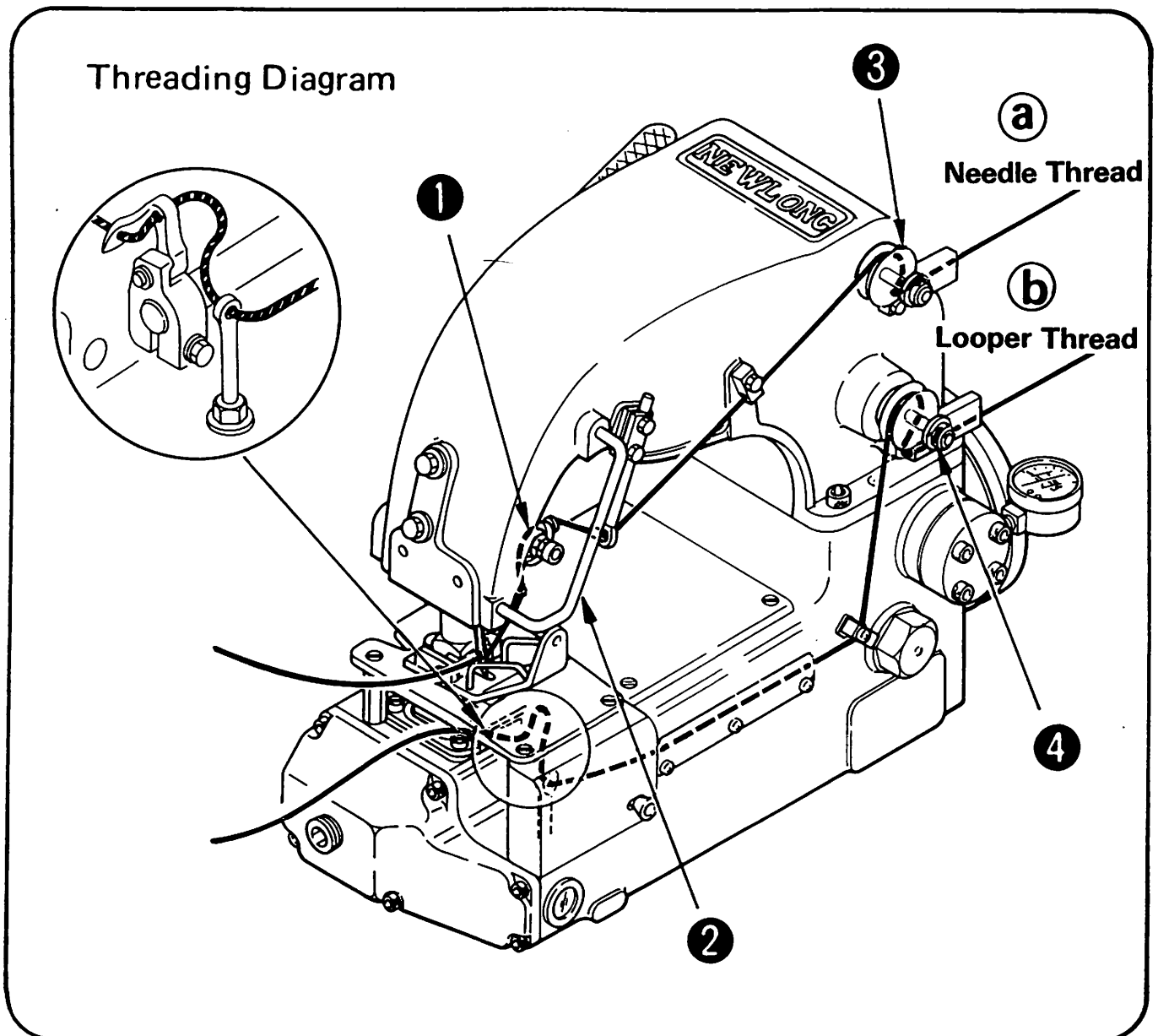
In very cold areas allow machine to warm up by running steadily for a few minutes before closing any bags. Failure to do this, especially with units running on single phase current, can result in slow starting and running of the sewing head. This causes mis-synchronization with the speed of the conveyor belt which will break thread, badly scuff tape and cause sewing problems until the sewing head and motor warm up and attain proper speed.

## 2-6 Threading

Follow the threading diagram below for proper threading. Be sure looper thread passes through both holes of the looper.

## 2-5 Running After Prolonged Shut-Down

After prolonged shut-down periods, the sewing head oil should be pumping properly and the sewing head and motor warmed up before closing any bag. This is easily accomplished by running the sewing head in short 2-3 second cycles until the oil pressure gauge reads in the normal 0.2-0.65 kgf/cm<sup>2</sup> (3-9 pound) range.



① Needle lever tension assembly    ② Needle thread pull-off    ③ Needle thread tension    ④ Looper thread tension

< Drawing 2 >

## 2-7 Tensions

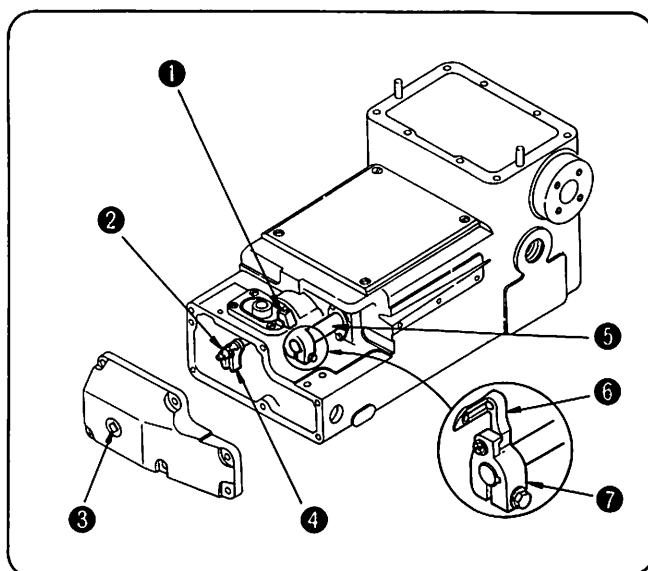
The looper tension must be very light, barely discernible when pulling thread by hand. The needle thread tension should be very firm and put a noticeable drag on the thread. The tension assembly located on the needle lever must put only light pressure, about the same as the looper tension, on the thread.

## 2-8 Needle Replacement

Be sure new needle is inserted into the needle chuck as far as it will go. Lock needle set screw against flat of needle shank. **Caution:** Use the small needle wrench provided with the machine. Excessive pressure on needle set screw can damage screw or needle chuck.

## 2-9 Stitch Length

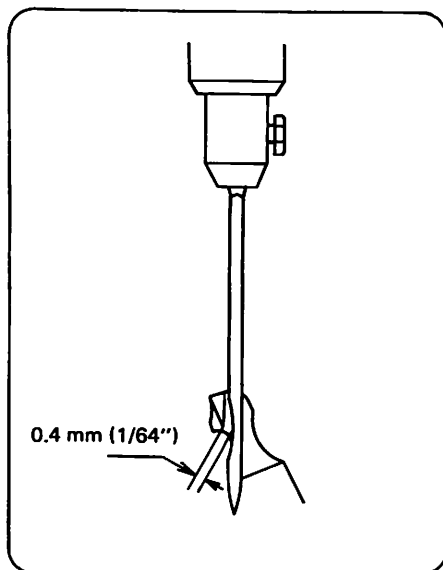
To adjust stitch length, remove the magnetic drain plug on the bottom cover. Reach through the drain plug hole with a 4.8 mm. (3/16 inch) Allen wrench and loosen the socket cap screw on the feed rocker. **Do not completely remove cap screw.** To shorten stitch length, slide loosened cap screw towards the throat plate. To lengthen stitch, slide away from throat plate. Always make sure adjusting screw is securely re-tightened. For stitch length of two stitches/inch, use optional throat plate (C-10018) and feed dog (A-10079). See drawing 3.



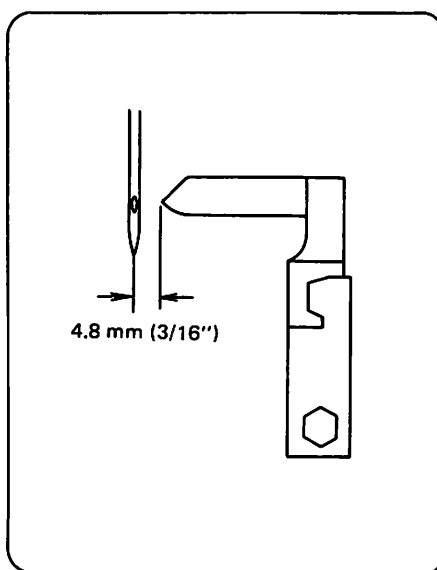
- ① Needle guard                      ⑤ Looper shaft      < Drawing 3 >  
② Socket cap screw                ⑥ Looper  
③ Magnetic drain plug hole      ⑦ Looper holder  
④ Feed rocker

## 2-10 Needle Thread Pull-Off

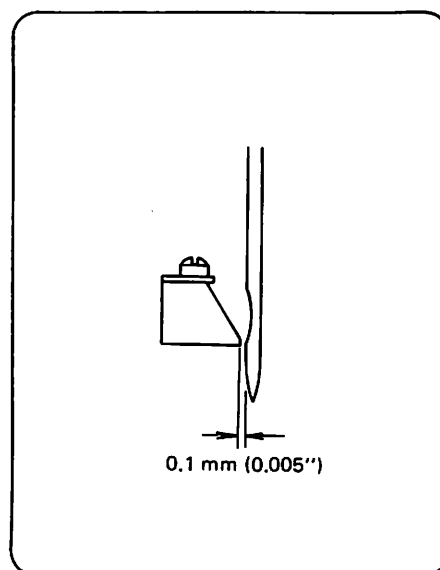
This adjustment can vary with different lengths of stitch, bag thickness and type of thread. The normal setting is 30.2 mm (1-1/4 inches) from center of thread hole in pull-off to the bottom of pull-off clamp.



< Drawing 4 >



< Drawing 5 >



< Drawing 6 >

## 2-11 Looper

The looper timing is set at the factory and should never be altered. If the looper only is replaced and the position of the looper holder has not changed, the only adjustment necessary is to provide the proper clearance of about 0.4 mm (1/64 inch) as the looper passes the scarf of the needle. See Drawing 4 above.

## 2-12 Looper Holder

If the looper holder has been moved and needs resetting, it must be positioned on the looper shaft so that the point of the looper is 4.8 mm (3/16 inch) from the center of the needle when the looper is at its farthest point back (towards the pulley end of machine). See Drawing 5 above.

## 2-13 Needle Guard

The needle guard is stationary and needs no adjustment. If it is replaced due to excessive wear or damage, it should be set so that the needle clears it by about 0.1 mm (0.005"). See Drawing 6 above.

## 2-14 Presser Foot Spring Pressure

To adjust the presser foot spring pressure, turn the hex adjusting screw on top of the lever housing. Turning the screw clockwise will increase the pressure, counter-clockwise will decrease pressure. The pressure has been set at the factory at about 18 kg (40 pounds), which should be adequate for most purposes.

## 2-15 Feed Dog Height

The teeth of the feed dog should protrude 1.6 mm (1/16") above the throat plate when at their highest point. No height adjustment of the feed dog should be necessary when replacing it. However, if the dog has been re-sharpened or is being raised to compensate for worn teeth (not recommended procedures), it will be necessary to loosen the feed dog carrier rod clamp and raise the feed dog carrier rod to restore the proper 1.6 mm (1/16") height of the feed dog teeth above the throat plate. Be sure to align the feed dog properly in the slots of the throat plate before securely locking the feed dog carrier rod.

# 3. TROUBLE SHOOTER

## 3-1 Synchronization

The sewing head must be synchronized with the conveyor belt. A model DS-10 sewing head should run about 10~15% faster than the conveyor. If a power top feed is used, it must also be synchronized with the conveyor. All conveyor models are properly synchronized at the factory, but differences in voltage between factory and customers plant might make minor adjustment necessary.

## 3-2 Oil

1. Check oil daily. Do not allow machine to run low. If oil pressure gauge needle does not remain above the red zone while machine is running, stop immediately.
2. At oil change intervals, remove bottom cover and clean, or if necessary, replace intake filter. See Page 2.
3. Remove accumulations of lint and dirt from looper area. If permitted to remain for long periods of time, these can set up a wicking action which will absorb oil from the machine.

## 3-3 Thread Breakage Or Skipping Stitches

1. Check to be sure nothing is interfering with the free passage of the thread from the cone all the way to the needle and looper.
2. Check to see that both needle and looper are threaded properly. See Drawing 2. If either are threaded improperly, it could cause the needle thread to break. Use the tweezers supplied with the machine to thread the top (or back) end of looper.
3. Check the needle thread pull-off. See Page 4. If bag is doubled over, add about 3.2 mm (1/8").
4. Check tension of both threads. See Page 4.

5. Replace needle. See Page 4.

6. Check condition of looper. If it is rough or has some nicks, replace it. See Page 4.

7. Check condition of throat plate. If it is rough or has nicks, replace it.

8. Check sharpness of feed dog. If dull, replace it. **Note:** Only the outside rows of teeth should be sharp. Do not sharpen center teeth.

## 3-4 Failure To Chain Off After Bag Is Sewn

1. Check items listed under thread breakage above.
2. Check presser foot pressure. It should be approximately 18 kg (40 pounds). See Page 5.

## 3-5 Uneven Stitch Length Or Poor Feeding

Check sharpness of feed dog and presser foot pressure.

## 3-6 Excessive Needle Breakage

1. Operator may be pulling bag through machine.
2. Sewing may be too close to contents of bag.
3. Check alignment of needle slot in presser foot to be sure needle does not rub.
4. Check to see that the needle chuck is parallel with side of machine.
5. Check sharpness of feed dog.
6. Check synchronization.

*Memo*

---



## ● 御注文上の注意事項 ORDERING PARTS

- (1) 本部品表はDS-10A、DS-10Cの機種を兼用しますので、部品をご注文の際は、個数欄を参照して下さい。
- (2) 御注文の際は、部品番号、部品名称、個数を明記下さい。
- (3) 但し図番 (Ref. No.) の記入がない部品は、単体販売できませんので、それに該当する完備部品 (組部品) をご注文下さい。

※ 本部品表は改良のため予告なく変更することがあります。

- (1) Description of each part and its stamp number is described in this parts list. Screws and nuts for parts are shown adjacent to the relevant parts. When ordering parts, describe clearly stamp number with its name of part.
- (2) Part that has no Ref. Number can not be delivered independently; always order it as an assembly.
- (3) This part list covers parts of not only DS-10A but also DS-10C. (refer to column of Quantity.)

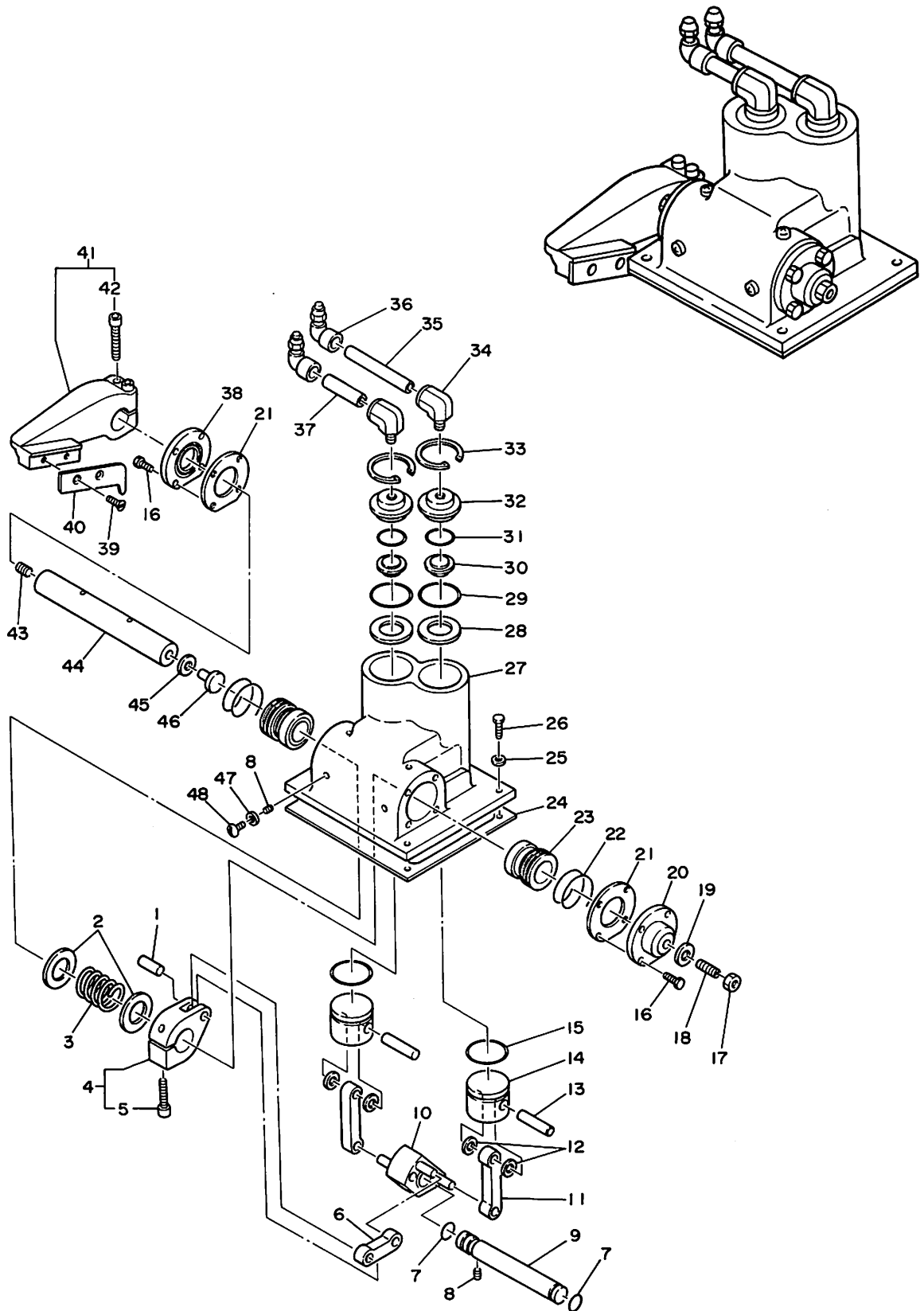
※ Information included in this part list is subject to change without prior notice.

### CONTENTS 目次

01	Tape Clipper .....	8
	テープカッター組立関係	
02	Oil Pump & Counterweight Assembly .....	12
	オイルポンプ, ウェイトバランス組立関係	
03	Main Housing .....	14
	ベット本体組立関係	
04	Lever Housing .....	18
	アーム本体組立関係	
05	Needle & Presser Foot Lever Assemblies .....	20
	針棒, 押エ金レバー組立関係	
06	Feed Assembly .....	24
	送り機構組立関係	
07	Main Shaft & Knife Assembly .....	26
	主軸, ナイフ軸組立関係	
08	Looper Assembly .....	28
	ルーパー組立関係	
	Numerical Index of Parts .....	29
	パーツ索引	

# 01 TAPE CLIPPER PARTS

## テープカッター組立関係



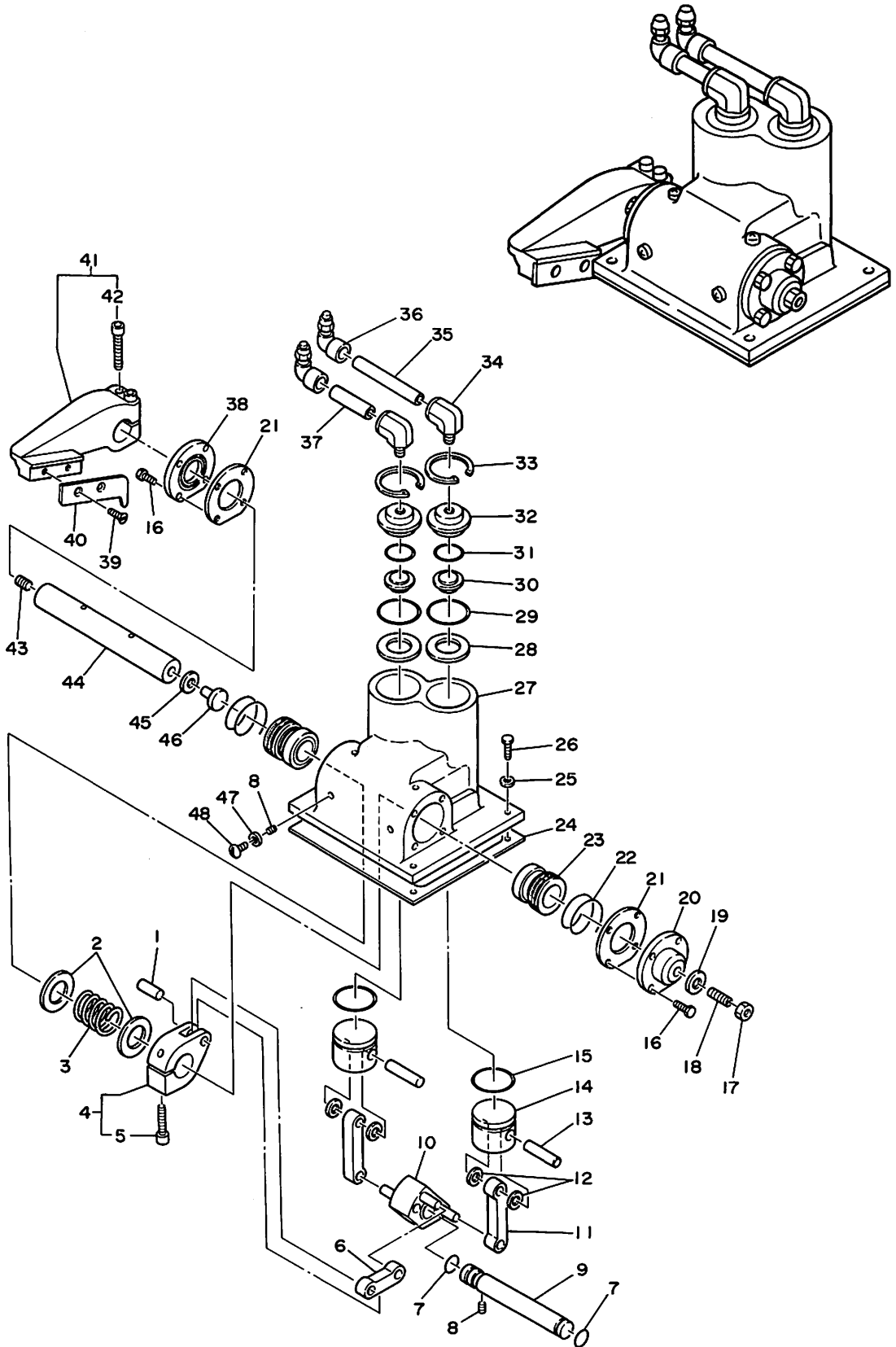
# 01 TAPE CLIPPER PARTS

## テープカッター組立関係

図番 Ref. No.	部品番号 Part No.	部品名称 Description		固数Q'ty	摘要 Remarks
				DS-10C	
1	P-10423	Pin, pivot	平行ピン	1	
2	T-3129	Washer, thrust	スラストワッシャー	2	
3	A-10424	Spring, compression	スプリング	1	
4	A-10421	Lever, drive-cutter	カッター駆動レバー	1	
5	SC14201-L	Screw, socket cap	六角穴付ボルト	1	
6	A-10422	Link, drive-cutter	カッター駆動リンク	1	
7	P-10420	Ring, "O"-crankshaft	"O"リング	2	
8	SS1032316	Screw, set	六角穴付止メネジ	1	
9	A-10419	Crankshaft	クランクシャフト	1	
10	A-10404	Assembly, crank	シリンダークランク	1	
11	A-10414	Rod, connecting-piston	ピストンロッド	2	
12	A-10437	Washer, rod-connecting	ワッシャー	4	
13	A-10415	Pin, wrist	平行ピン	2	
14	A-10412	Piston	ピストン	2	
15	P-10413	Ring, piston	"X"リング	2	
16	H103212	Screw, hex HD	六角ボルト	8	
17	NH1428	Nut, hex	六角ナット	1	
18	A-10440	Screw, adjusting	ネジ	1	
19	WN14	Washer, nylon	ナイロンワッシャー	1	
20	A-10430	Plate, cover	フタ	1	
21	A-10429	Gasket	ガスケット	2	
22	A-10023	Insert thread-lever shaft bushing	スプリング	2	
23	A-10425	Bushing	ナイフシャフトブッシュ	2	
24	A-10092	Gasket, cover-top	オイルシート(ベースカバー)	1	
25	P-10438	Washer, compression	平座金	4	
26	H103258	Screw, hex HD	六角ボルト	4	
27	A-10405	Housing, cutter	シリンダー本体	1	
28	A-10406	Washer, head cylinder	ライナー	2	
29	P-10409	Ring, "O"-cylinder head	"O"リング	2	
30	A-10407	Plate, bumper	弁座	2	
31	P-10408	Ring, bumper	"O"リング	2	
32	A-10410	Head, cylinder	シリンダーヘッド	2	
33	P-10411	Ring, snap	止メ輪	2	
34	D07025	Elbow, street	エルボー	2	
35	705021	Pipe	パイプ	1	
36	D07026	Elbow, female	エルボー	2	
37	705031	Pipe	パイプ	1	
38	A-10403	Assembly, seal-shaft	カッター軸シール組	1	
39	F103212	Screw, flat HD	ネジ	2	
40	A-10443	Knife, moving	揺動刃	2	
41	B-10432	Lever, knife	ナイフレバー	1	
42	SC1420114	Screw, socket cap	六角穴付ボルト	2	
43	P-10125	Plug, pipe-mainshaft	プラグ(主軸)	1	
44	A-10426	Shaft, knife	ナイフシャフト	1	

# 01 TAPE CLIPPER PARTS

## テープカッター組立関係



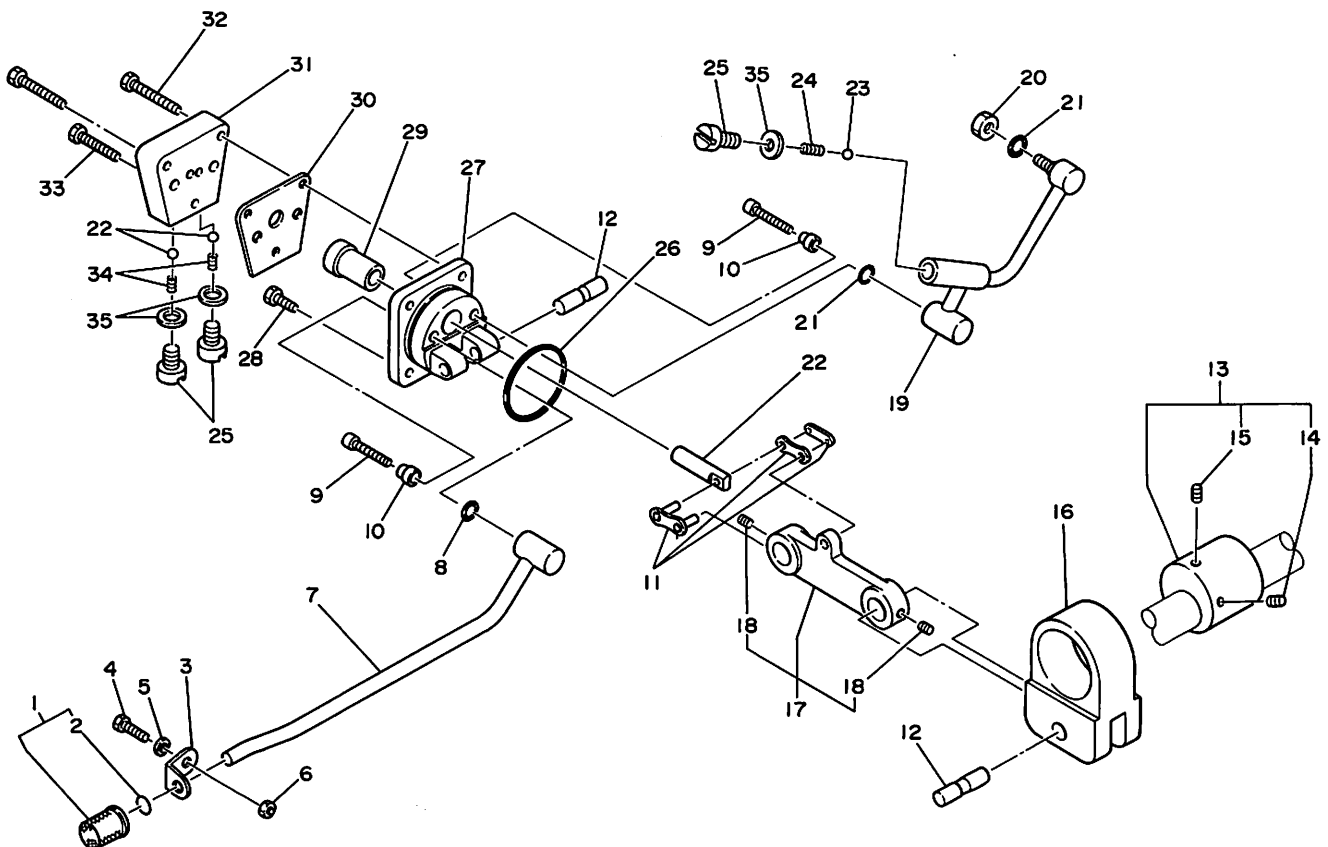
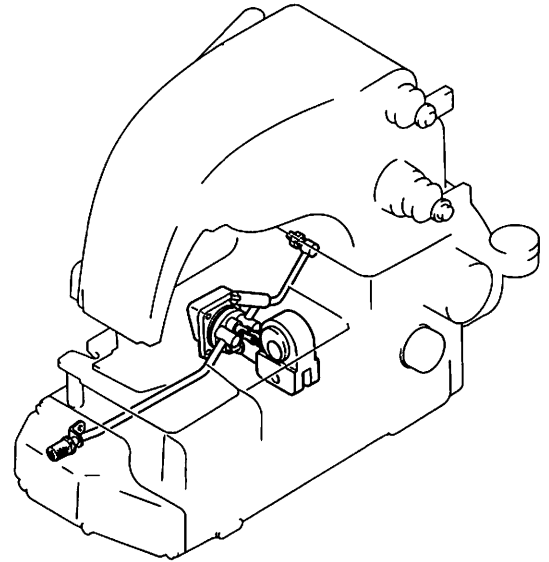
# 01 TAPE CLIPPER PARTS

## テープカッター組立関係

図番 Ref. No.	部品番号 Part No.	部品名称 Description	固数Q'ty		摘要 Remarks
			DS-10C		
45	P-10428	Washer, thrust		1	
46	A-10427	Shaft, thrust		1	
47	SS1032316	Screw, socket set		4	
48	WN8	Washer, nylon		4	
49	B103214	Screw, binding HD		4	

# 02 OIL PUMP & COUNTERWEIGHT ASSEMBLY PARTS

オイルポンプ、ウエイトバランス組立関係



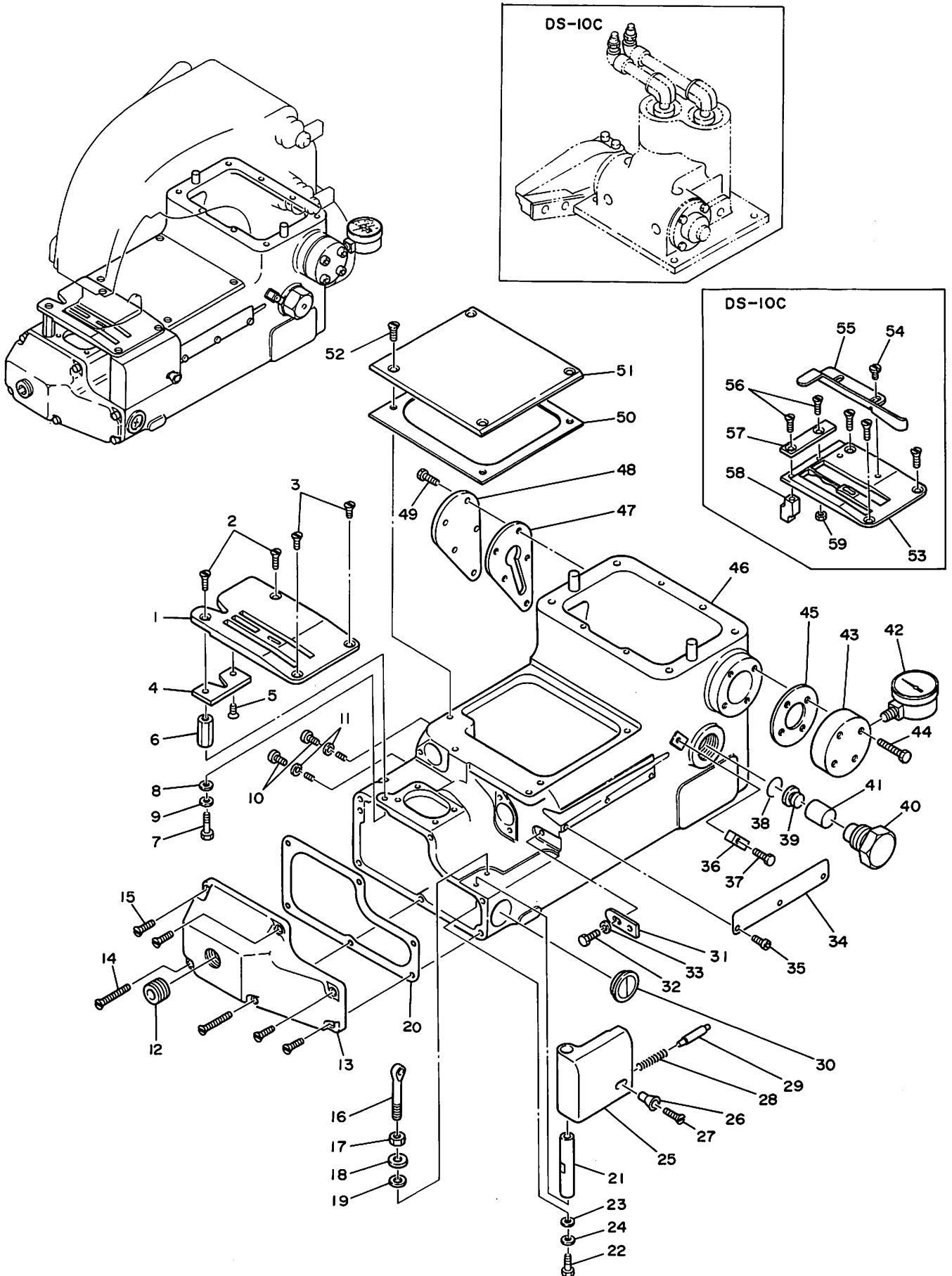
## 02 OIL PUMP &amp; COUNTERWEIGHT ASSEMBLY PARTS

## オイルポンプ、ウエイトバランス組立関係

図番 Ref. No.	部品番号 Part No.	部品名称 Description		固数 Q'ty		摘要 Remarks
				DS-10A	DS-10C	
1	A-10191	Ass'y, filter-intake	フィルター組	1	1	
2	P-10192	Ring, "O"-intake filter	"O"リング	1	1	
3	A-10204	Retainer, tube-intake	給油管止メ	1	1	
4	B103212	Screw, binding HD	ネジ	1	1	
5	WN8	Washer, nylon	ナイロンワッシャー	1	1	
6	NJ10	Nut	六角ナット	1	1	
7	A-10105	Ass'y, tube-intake	給油管A	1	1	
8	P-10107	Ring, "O"-intake tube	"O"リング	1	1	
9	SC63278	Screw, socket HD cap	六角穴付ボルト	2	2	
10	A-10178	Insert, body-pump	ポンプカラー	2	2	
11	P-10104	Link connecting-pump drive	継手リンク	1	1	
12	A-10103	Pin, pivot-pump drive	リンクピン	2	2	
13	A-10061	Eccentric, stroke-pump	エキセンカム	1	1	(14, 15)
14	SS142038	Screw, set	六角穴付止メネジ	1	1	
15	SS142038CP	Screw, set-cone point	六角穴付止メネジ	1	1	
16	A-10101	Counterweight & Pump Drive	バランスウエイト	1	1	
17	A-10102	Link, control-pump drive	リンク	1	1	(18)
18	SS1032316	Screw, set	六角穴付止メネジ	2	2	
19	A-10106	Ass'y, tube-pressure	給油管B	1	1	
20	NH1420	Nut, hex	六角ナット	1	1	
21	P-10107	Ring, "O"-tube terminal	"O"リング	2	2	
22	A-10169	Piston, pump	ピストン	1	1	
23	P-10051	Ball, valve	ボール(銅球)	3	3	
24	A-10130	Spring, relief-oil pressure	スプリング(リリーフバルブ)	1	1	
25	A-10053	Plug, spring-valve	プラグ	3	3	
26	P-10084	Ring, "O"	"O"リング	1	1	
27	B-10167	Body, pump	ポンプ本体	1	1	
28	H103212	Screw, hex HD	六角ボルト	2	2	
29	A-10168	Cylinder, pump	シリンダー	1	1	
30	A-10049	Gasket, block-valve	オイルシート	1	1	
31	B-10050	Block, valve	バルブ本体	1	1	
32	H1032114	Screw, hex HD (long)	六角ボルト	2	2	
33	H10321	Screw, hex HD (short)	六角ボルト	1	1	
34	A-10127	Spring, block-valve	バルブスプリング	2	2	
35	A-10052	Seal, washer-valve plug	ナイロンワッシャー	2	2	

# 03 MAIN HOUSING PARTS

## ベッド本体組立関係





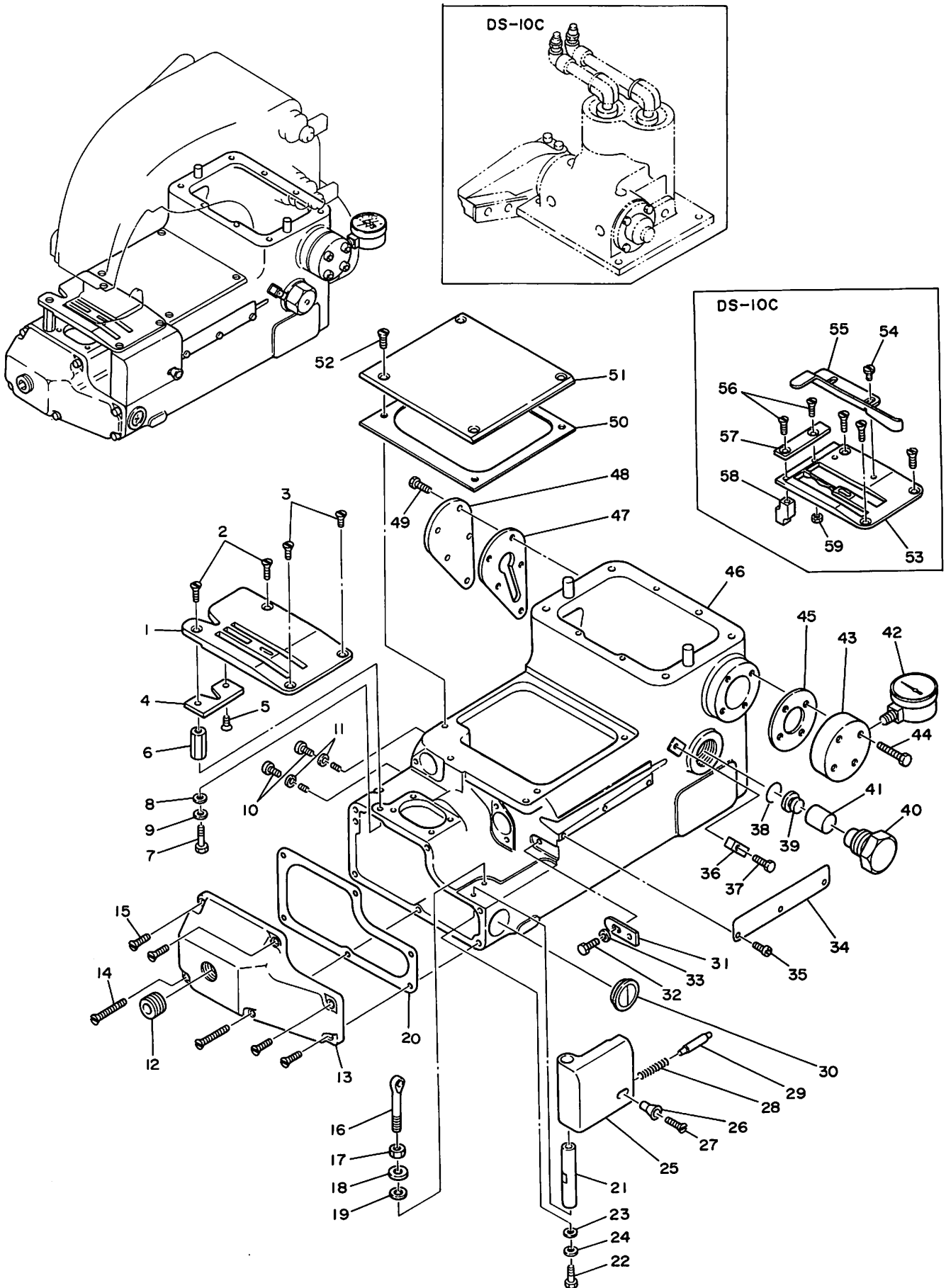
### 03 MAIN HOUSING PARTS

#### ベッド本体組立関係

図番 Ref. No.	部品番号 Part No.	部品名称 Description	固数 Q'ty		摘要 Remarks
			DS-10A	DS-10C	
1	C-10017	Plate, throat	針板	1	Special Order (特注)
	C-10018	Plate,throat(Long Stitch)	針板	(1)	
2	F103258	Screw, flat HD (long)	ネジ	2	1
3	F103238	Screw, flat HD (short)	ネジ	2	2
4	A-10091	Knife, stationary	ナイフ B	1	—
5	F83214	Screw, flat HD	ネジ	1	—
6	A-10015	Post, short-throat plate	支柱 (ショート)	1	—
7	H103212	Screw, hex HD	六角ボルト	1	1
8	WN8	Washer, nylon	ナイロンワッシャー	1	1
9	D208	Washer	平座金	1	1
10	B103214	Screw, binding HD	ネジ	2	2
11	WN8	Washer	ナイロンワッシャー	2	2
12	P-10111	Plug, drain-magnetic	ドレンプラグ	1	1
13	B-10022	Cover, bottom	下面カバー	1	1
14	F1032114	Screw, flat HD (long)	ネジ	2	2
15	F103258	Screw, flat HD (short)	ネジ	4	4
16	A-10170	Pull-Off-Looper Thread	下糸ガイド	1	1
17	NH1420	Nut, hex	六角ナット	1	1
18	WF14	Washer	平座金	1	1
19	WN14	Washer-Nylon	ナイロンワッシャー	1	1
20	A-10093	Gasket, cover-bottom	オイルシート(下面カバー)	1	1
21	A-10016	Post, long-throat plate	支柱 (ロング)	1	1
22	H103212	Screw, hex HD	六角ボルト	1	1
23	WN8	Washer-Nylon	ナイロンワッシャー	1	1
24	D208	Washer	平座金	1	1
25	A-10005	Door, looper	ルーバーカバー	1	—
26	A-10021	Knob, latch-looper door	ノブ	1	—
27	F63234	Screw, flat HD	ネジ	1	—
28	A-10019	Spring, latch-looper door	スプリング	1	—
29	A-10020	Latch, door-looper	ラッチ	1	—
30	D05003	Window, oil level	オイルレベル	1	1
31	A-10097	Plate, latch-looper door	カバー止メ	1	1
32	H103212	Screw, hex HD	六角ボルト	1	1
33	D208	Washer	平座金	1	1
34	A-10098	Cover, groove-thread	下糸カバー	1	1
35	B632316	Screw, binding HD	六角ボルト	3	3
36	A-10164	Eyelet, thread-short	糸ガイド (小)	1	1
37	H103234	Screw, hex HD	六角ボルト	1	1
38	A-10134	Ring, snap-breather baffle retainer	スナップリング	1	1
39	A-10179	Baffle, plug-breather	調整板	1	1
40	A-10116	Ass'y, plug-breather	エアブリーザ本体	1	1
41	A-10121	Filter, plug-breather	フィルター	1	1
42	P-10227	Gauge, oil pressure	油圧ゲージ	1	1
43	P-10226	Adapter, gauge-oil pressure	アダプター	1	1
44	H10321	Screw, hex HD	六角ボルト	4	4
45	A-10094	Gasket, main shaft seal	オイルシート	1	1

# 03 MAIN HOUSING PARTS

## ベッド本体組立関係



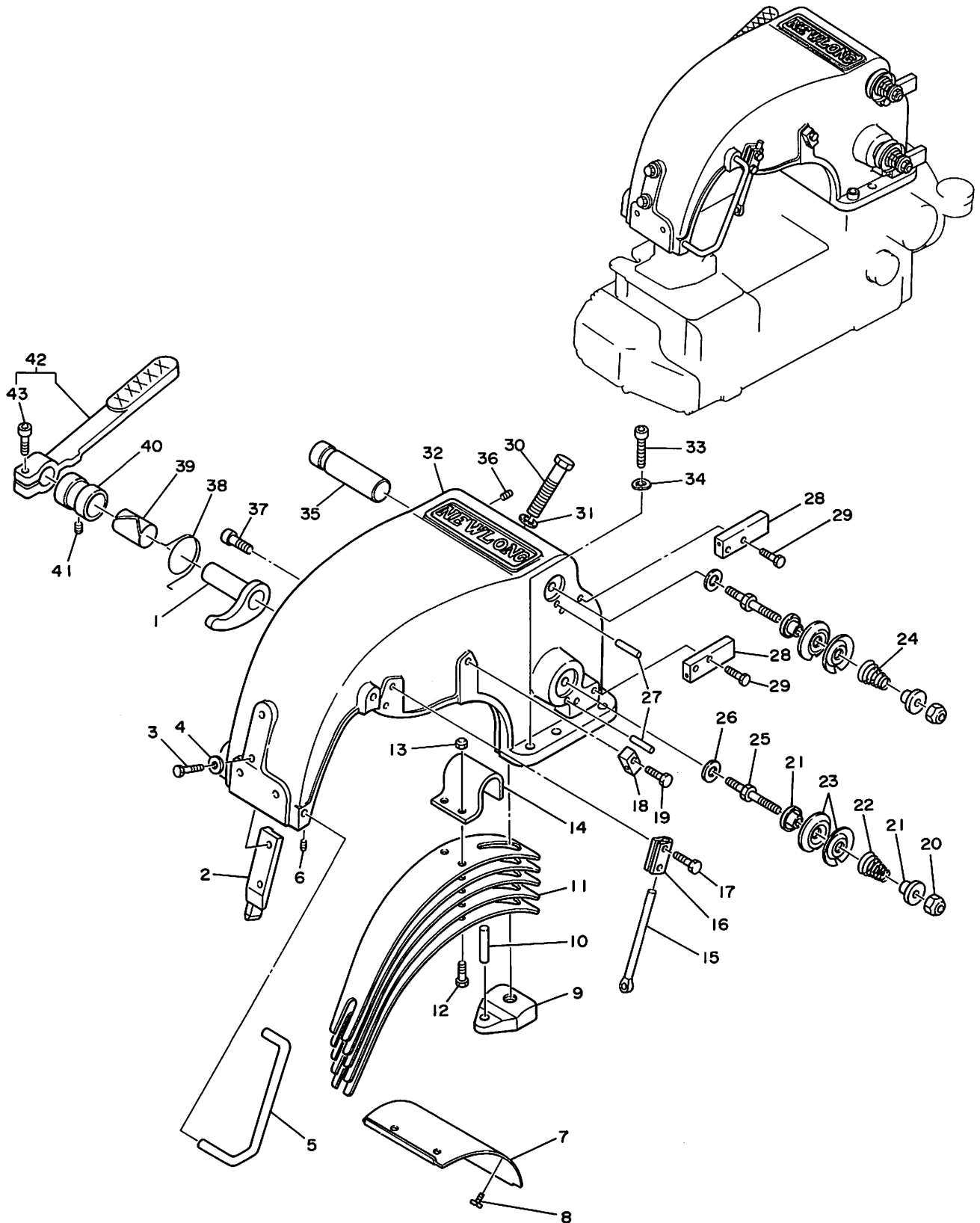
## 03 MAIN HOUSING PARTS

## ベッド本体組立関係

図番 Ref. No.	部品番号 Part No.	部品名称 Description	固数 Q'ty		摘要 Remarks
			DS-10A	DS-10C	
46	D-10001	Housing, main ベッド	1	1	
47	A-10095	Gasket, cover-manifold オイルシート	1	1	
48	A-10100	Cover, manifold マニホールドカバー	1	1	
49	H103212	Screw, hex HD 六角ボルト	5	5	
50	A-10092	Gasket, cover-top オイルシート	1	-	
51	A-10014	Plate, cover-top ベースカバー	1	1	
52	F103238	Screw, flat HD ネジ	4	4	
53	B-10485	Plate, throat 針板	-	1	
54	B103214	Screw, binding HD ネジ	-	2	
55	A-10449	Fence 定規	-	1	
56	F83212	Screw, flat HD ネジ	-	2	
57	A-10446	Knife, bed 固定刃	-	1	
58	A-10434	Post, offset 短支柱	-	1	
59	NH832	Nut, hex ナット	-	1	

# 04 LEVERS HOUSING PARTS

## アーム本体組立関係



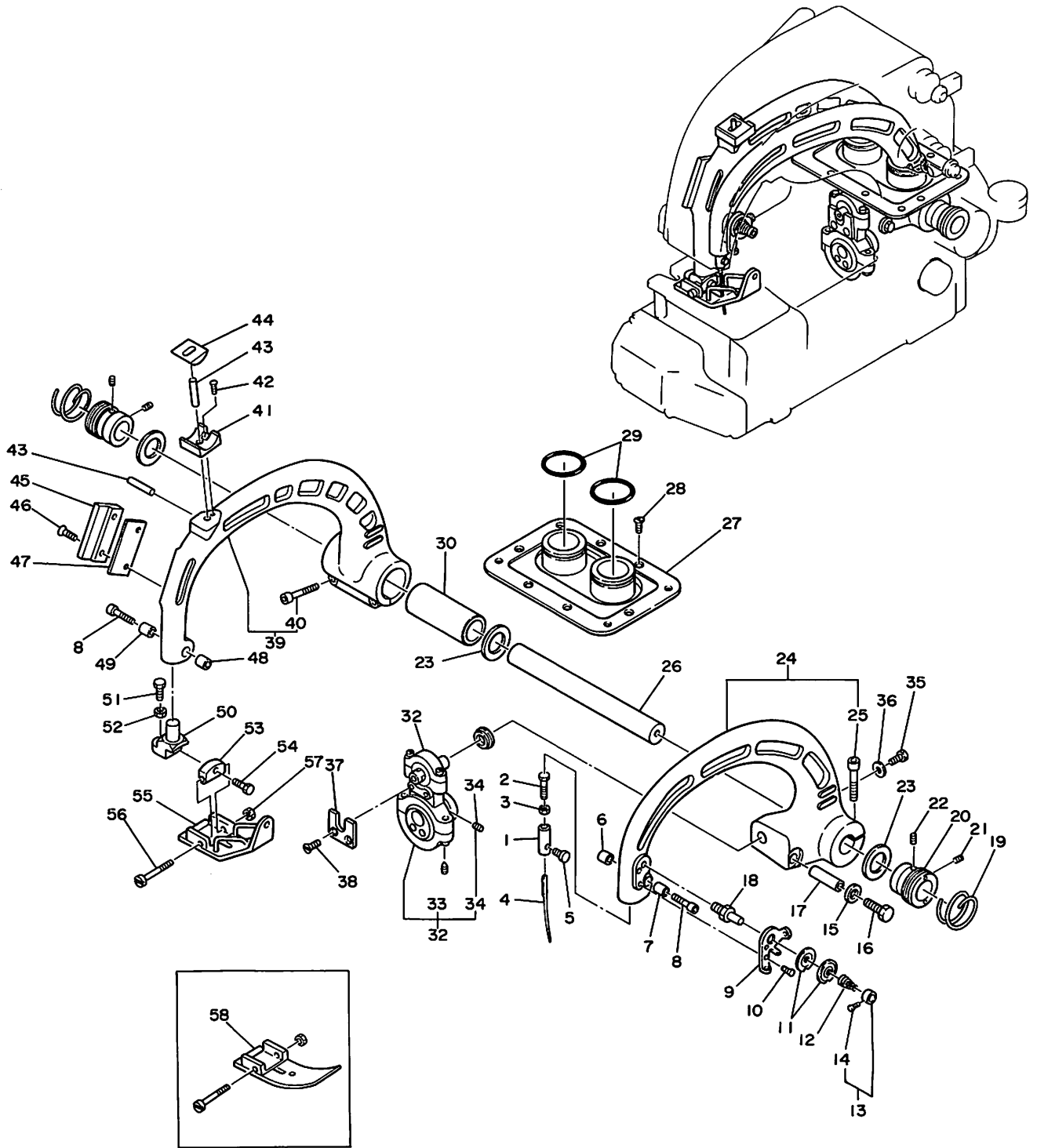
## 04 LEVERS HOUSING PARTS

### アーム本体組立関係

図番 Ref. No.	部品番号 Part No.	部品名称 Description		固数 Q'ty	摘 要 Remarks
				DS-10A DS-10C	
1	A-10142	Cam, lifter-presser foot	押エ揚ゲカム	1	
2	A-10161	Guide, lever-presser foot	押エ揚ゲガイド	1	
3	H103278	Screw, hex HD	六角ボルト	2	
4	WF10	Washer	平座金	2	
5	A-10188	Guard, tension-needle	ガード	1	
6	SS1032516	Screw, set	六角穴付止メネジ	2	
7	B-10123	Cover, guard-levers	アームカバー	1	
8	B103238	Screw, binding HD	ネジ	2	
9	A-10146	Plate, presser foot spring-tapped	板バネ受ケ金	1	
10	P-10013	Pin, roll	スプリングピン	1	
11	B-10145	Spring, presser foot	板バネ	5	
12	H103234	Screw, hex HD	六角ボルト	2	
13	1-178	Nut, lock	フレックスロックナット	2	
14	A-10144	Clamp, spring-presser foot	板バネ止メ	1	
15	A-10171	Pull-off, needle thread	上糸調節	1	
16	A-10172	Clamp, needle thread pull-off	上糸調節止メ	1	
17	H103234	Screw, hex HD	六角ボルト	2	
18	A-10164	Eyelet, thread-short	糸ガイド(小)	1	
19	H103234	Screw, hex HD	六角ボルト	1	
20	NH1428L	Nut	ナイロンナット	2	
21	A-10114	Sleeve, tension	スリーブ	4	
22	A-10008	Spring, tension-looper thread	下糸調子スプリング	1	
23	A-10120	Disc, tension-large	糸調子皿(大)	4	
24	A-10007	Spring, tension-needle thread	上糸調子スプリング	1	
25	A-10115	Stud, tension	糸調子芯棒(下糸)	2	
26	D-120	Washer, lock	バネ座金	2	
27	P-10010	Pin, retaining-tension disc	スプリングピン	2	
28	A-10165	Eyelet, thread-long	糸ガイド(大)	2	
29	H103234	Screw, hex HD	六角ボルト	4	
30	H3824134	Screw, adjusting	六角ボルト	1	
31	WF38	Washer	平座金	1	
32	D-10002	Housing, levers	アーム	1	
33	SC516181	Screw, socket HD cap	六角穴付ボルト	4	
34	WS516	Washer, spring	スプリングワッシャー	4	
35	A-10143	Shaft, spring-presser foot	板バネ軸	1	
36	SS142038	Screw, set	六角穴付止メネジ	1	
37	SC5161858	Screw, stop-lifter lever	六角穴付ボルト	1	
38	A-10187	Spring, lifter lever	押エ揚ゲスプリング	1	
39	A-10186	Liner, bushing-lifter lever	テフロンシート	1	
40	A-10139	Bushing, lifter-presser foot	レバーシール	1	
41	SS142014	Screw, set	六角穴付止メネジ	1	
42	B-10141	Lever, lifter-presser foot	押エ揚ゲレバー	1	(43)
43	SC142034	Screw, socket HD cap	六角穴付ボルト	1	

# 05 NEEDLE & PRESSER FOOT LEVER ASSEMBLIES PARTS

針棒，押エ金レバー組立関係



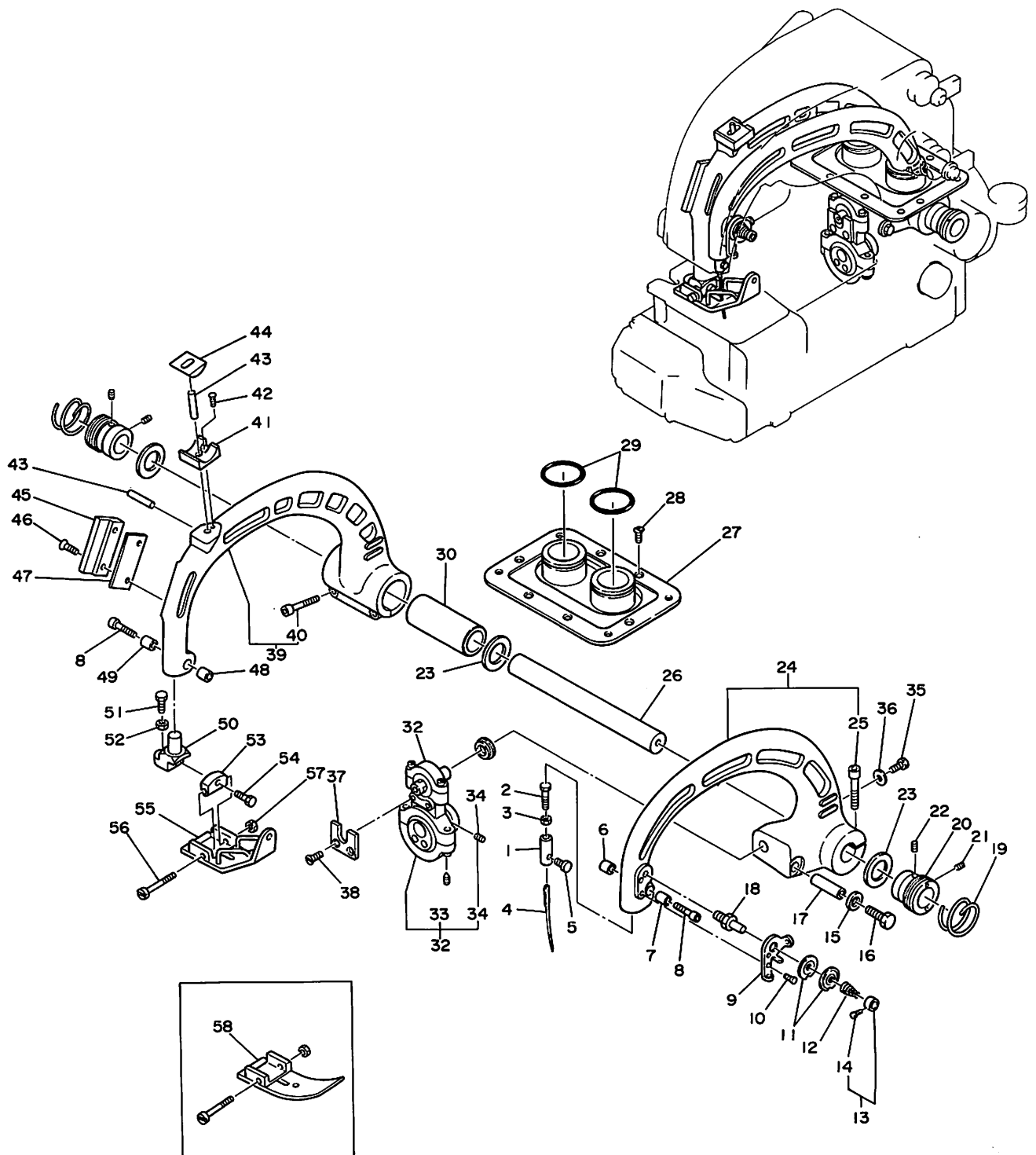
# 05 NEEDLE & PRESSER FOOT LEVER ASSEMBLIES PARTS

## 針棒, 押エ金レバー組立関係

図番 Ref. No.	部品番号 Part No.	部品名称 Description		固数 Q'ty		摘 要 Remarks
				DS-10A	DS-10C	
1	A-10031	Chuck, needle	針ホルダー	1	1	
2	H103234	Screw, hex HD	六角ボルト	1	1	
3	NJ10	Nut, hex HD	六角ナット	1	1	
4	C-100-S	Needle	針	1	1	
5	A-10011	Screw, clamp-needle	針止メネジ	1	1	
6	A-10212	Plug, clamp-tapped (needle lever)	針ホルダークランプ(B)	1	1	
7	A-10211	Plug, clamp drilled (needle lever)	針ホルダークランプ(A)	1	1	
8	SC63234	Screw, socket HD cap	六角穴付ボルト	1	1	
9	A-10166	Guide, thread-needle lever	上糸ガイド	1	1	
10	F54038	Screw, flat HD	ネジ	2	2	
11	A-10119	Disc., tension-small	糸調子皿(小)	2	2	
12	A-10009	Spring, tension-needle lever	上糸調子スプリング(小)	1	1	
13	<b>A-10181</b>	<b>Collar, tension-needle lever</b>	<b>上糸調子カラー</b>	<b>1</b>	<b>1</b>	<b>(14)</b>
14	B632316	Screw, binding HD	ネジ	1	1	
15	A-10231	Washer, heavy-needle lever	座金	1	1	
16	H103212	Screw, hex HD	六角ボルト	1	1	
17	A-10232	Rod, clamp-needle lever	クランプロッド	1	1	
18	A-10113	Stud, tension-needle lever	糸調子芯棒(上糸)	1	1	
19	A-10023	Insert, thread-levers shaft bushing	スプリング	2	2	
20	A-10025	Bushing, shaft-levers	針棒レバーシャフトブッシュ	2	2	
21	SS1032316	Screw, set (short)	六角穴付止メネジ	2	2	
22	SS103238	Screw, set (long)	六角穴付止メネジ	2	2	
23	T3129	Washer, thrust	スラストベアリングカラー	3	3	
24	<b>C-10003</b>	<b>Lever, needle</b>	<b>針棒レバー</b>	<b>1</b>	<b>1</b>	<b>(25)</b>
25	SC1420114	Screw, socket HD cap	六角穴付ボルト	2	2	
26	A-10026	Shaft, levers	レバー軸	1	1	
27	B-10137	Seal, levers	レバーシール	1	1	
28	F103238	Screw, flat HD	ネジ	4	4	
29	A-10128	Spring, garter-levers seal	スプリングレバーシール	2	2	
30	A-10028	Bushing, lever-presser foot	押エ棒レバーブッシュ	1	1	
31	A-10159	Spacer, stud-ball	スペーサー	1	1	
32	<b>B-10047</b>	<b>Rod, connecting-needle drive</b>	<b>立ロッド組</b>	<b>1</b>	<b>1</b>	<b>(33, 34)</b>
33	SS142038CP	Screw, set-cone point	六角穴付止メネジ	1	1	
34	SS142014	Screw, set	六角穴付止メネジ	1	1	
35	H103238	Screw, hex HD	六角ボルト	1	1	
36	WS10	Washer, spring	バネ座金	1	1	
37	A-10048	Restrainer, rod-connecting	ボールガイド	1	1	
38	F103238	Screw, flat HD	ネジ	2	2	
39	<b>C-10004</b>	<b>Lever, presser foot</b>	<b>押エ金レバー</b>	<b>1</b>	<b>1</b>	<b>(40)</b>
40	SC1420114	Screw, socket HD cap	六角穴付ボルト	2	2	
41	A-10189	Cradle, pad-presser foot spring	板バネ受ケ台	1	1	
42	F63212	Screw, flat HD	ネジ	1	1	
43	P-10193	Pin, roll	スプリングピン	2	2	
44	A-10190	Pad, spring-presser foot	板バネ受ケ	1	1	
45	A-10163	Clamp, bearing-sheet	シート止メ	1	1	

# 05 NEEDLE & PRESSER FOOT LEVER ASSEMBLIES PARTS

針棒，押エ金レバー組立関係





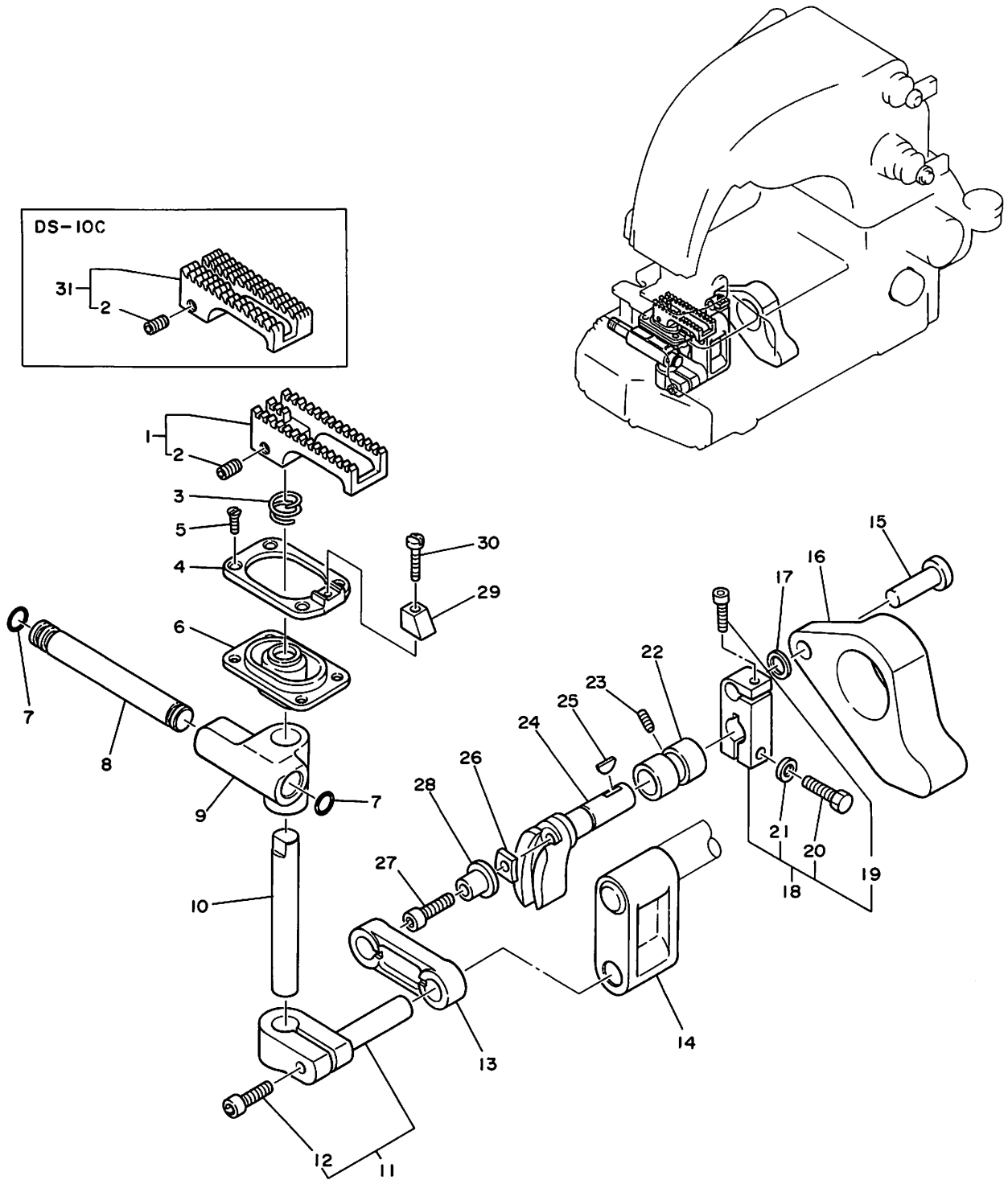
05 NEEDLE & PRESSER FOOT LEVER ASSEMBLIES PARTS

針棒, 押エ金レバー組立関係

図番 Ref. No.	部品番号 Part No.	部品名称 Description	固数 Q'ty		摘要 Remarks
			DS-10A	DS-10C	
46	F103258	Screw, flat HD ネジ	2	2	
47	A-10162	Sheet, bearing-presser foot lever guide シート	1	1	
48	A-10214	Plug, clamp-tapped (presser foot) 押エ棒ホルダー クランプ(B)	1	1	
49	A-10213	Plug, clamp-drilled (presser foot) 押エ棒ホルダー クランプ(A)	1	1	
50	A-10155	Shank, presser foot 押エ金ホルダーA	1	1	
51	H103234	Screw, hex HD 六角ボルト	1	1	
52	NJ10	Nut, hex 六角ナット	1	1	
53	A-10156	Block, hinge-presser foot 押エ金ホルダーB	1	1	
54	H103238R	Screw, hex HD 六角ボルト	1	1	
55	A-10185	Presser Foot 押エ金	1	-	
56	A-10182	Bolt, hinging-presser foot 押エ金レンジピン	1	1	
57	NJ10	Nut 六角ナット	1	1	
58	A-10484	Presser foot 押エ金	-	1	

# 06 FEED ASSEMBLY PARTS

## 送り機構組立関係



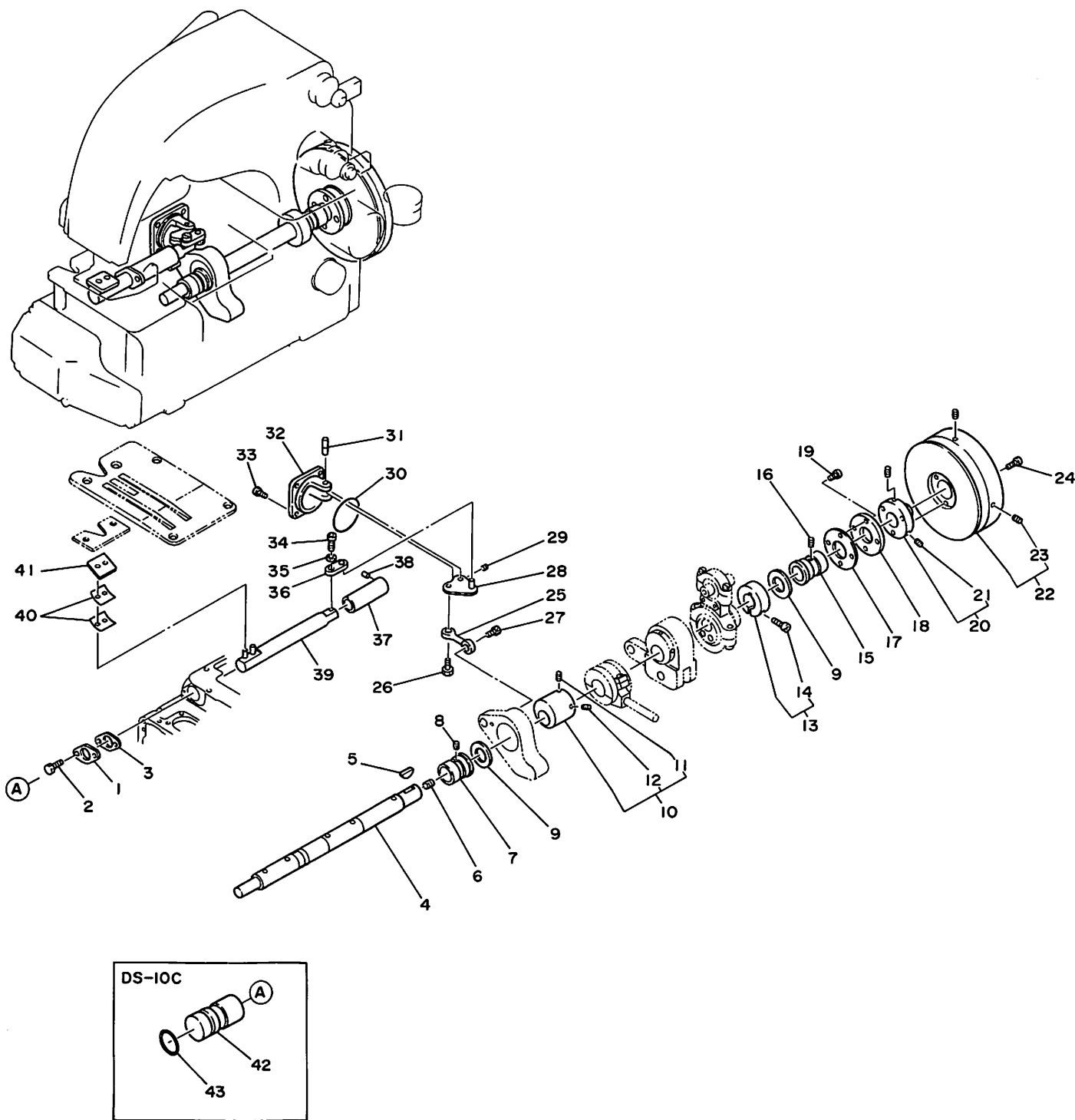
# 06 FEED ASSEMBLY PARTS

## 送り機構組立関係

図番 Ref. No.	部品番号 Part No.	部品名称 Description	固数 Q'ty		摘要 Remarks	
			DS-10A	DS-10C		
1	A-10078	Dog, feed	送り金	1	-	(2)
	A-10079	Dog, feed (Long Stitch)	送り金	(1)	-	(2)
2	SS1032516	Screw, set	六角穴付止メネジ	1	1	
3	A-10124	Ring, garter-feed dog seal	スプリング(送り土台シール)	1	1	
4	A-10177	Holder, guard-needle	針ガイドホルダー	1	1	
5	F103238	Screw, flat HD	ネジ	4	4	
6	B-10077	Seal, dog-feed	送り土台シール	1	1	
7	P-10075	Ring, "O"	"O"リング	2	2	
8	A-10074	Rod, slide-feed	スラスト棒	1	1	
9	A-10073	Slide, feed	摺動台	1	1	
10	A-10072	Rod, carrier-feed dog	送り土台ピン	1	1	
11	A-10070	Clamp, rod-feed dog carrier	送り土台	1	1	(13)
12	SC142078	Screw, socket HD	六角穴付ボルト	1	1	
13	A-10069	Link, stroke-feed	送りリンク	1	1	
14	A-10071	Link, lift-feed	送り上下リンク	1	1	
15	A-10064	Pin, rod-feed stroke connecting	レバーピン	1	1	
16	A-10062	Rod, connecting-primary feed stroke	送りロッド	1	1	
17	A-10215	Washer, thrust	スラストワッシャー	1	1	
18	A-10063	Lever, pin-feed rocker	送り元土台レバー	1	1	(19, 20, 21)
19	SC54012	Screw, socket HD cap	六角穴付ボルト	1	1	
20	H103258	Screw, hex HD	六角ボルト	1	1	
21	D208	Washer	平座金	1	1	
22	A-10109	Bushing, shaft-feed rocker	送り元ブッシュ	1	1	
23	SS1032516	Screw, set	六角穴付止メネジ	1	1	
24	A-10066	Lever, slotted-feed rocker	送り台	1	1	
25	B1035	Key	半月キー	1	1	
26	A-10067	Nut, pivot-feed stroke adjusting	送り調節軸ナット	1	1	
27	SC142878	Screw, socket HD cap	六角穴付ボルト	1	1	
28	A-10068	Pivot, adjusting-feed stroke	送り調節軸スリーブ	1	1	
29	A-10174	Guard, needle	針ガード	1	1	
30	P540916	Screw, pan HD.	ネジ	1	1	
31	A-10486	Feed dog	送り金	-	1	(2) Special Order (特注)

# 07 MAIN SHAFT & KNIFE ASSEMBLY PARTS

## 主軸, ナイフ軸組立関係



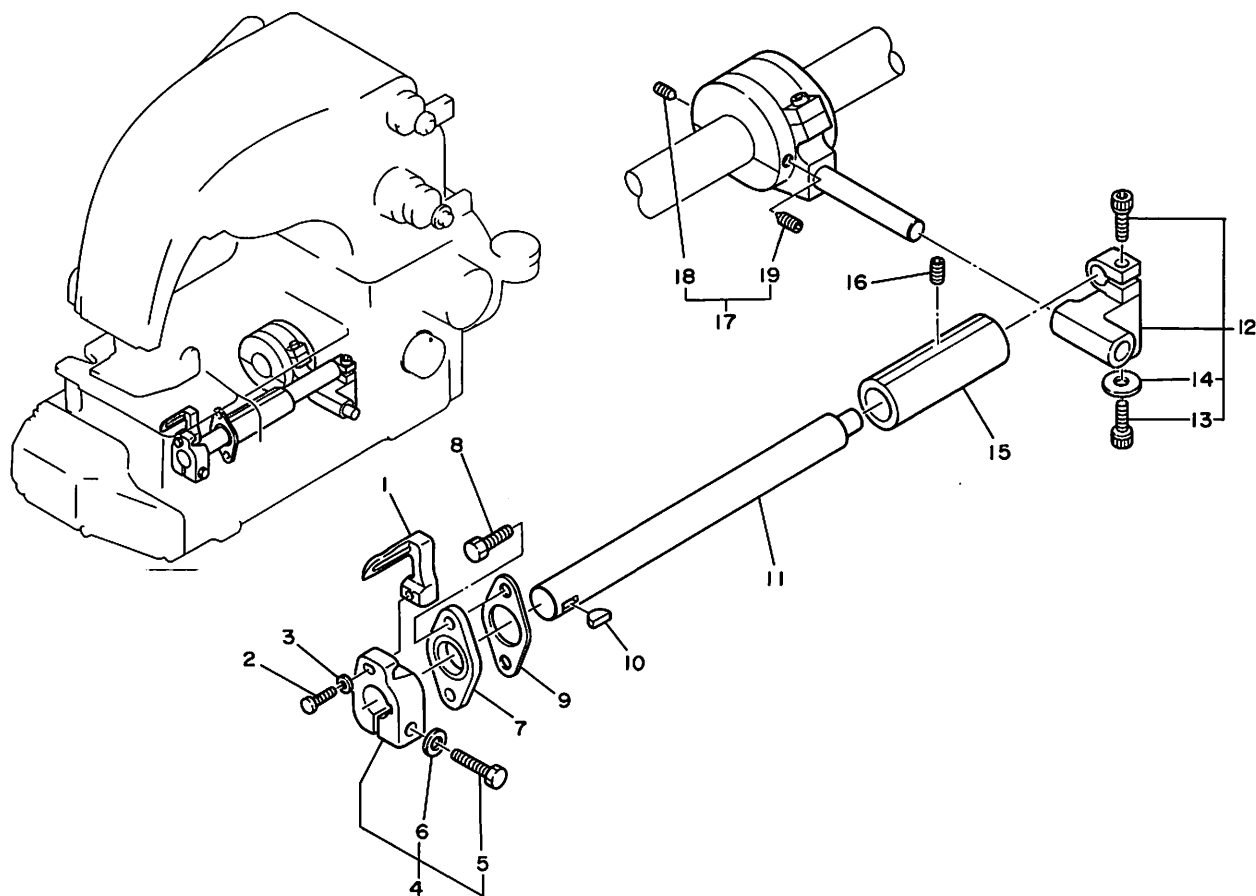
# 07 MAIN SHAFT & KNIFE ASSEMBLY PARTS

## 主軸, ナイフ軸組立関係

図番 Ref. No.	部品番号 Part No.	部品名称 Description	固数 Q'ty		摘要 Remarks	
			DS-10A	DS-10B		
1	A-10076	Assembly, seal-knife shaft	ルーバー軸シール組	1	—	
2	H103212	Screw, hex HD	六角ボルト	2	—	
3	A-10058	Gasket, seal-knife shaft	オイルシート	1	—	
4	C-10045	Shaft, main	主軸	1	1	
5	B-1035	Key	半月キー	1	1	
6	P-10125	Plug, pipe-main shaft	プラグ(主軸)	1	1	
7	A-10044	Bushing, main shaft-needle end	下前ブッシュ	1	1	
8	SS1032516	Screw, set	六角穴付止メネジ	1	1	
9	T-3129	Washer, thrust	スラストベアリングカラー	2	2	
10	A-10061	Eccentric, stroke-feed	エキセンカム	1	1	(11,12)
11	SS142038	Screw, set	六角穴付止メネジ	1	1	
12	SS142038CP	Screw, set	六角穴付止メネジ	1	1	
13	A-10158	Collar, lock-main shaft	主軸カラー	1	1	
14	SC103258	Screw, socket HD cap	六角穴付ボルト	1	1	
15	A-10043	Bushing, main shaft-drive end	下後ブッシュ	1	1	
16	SS1032516	Screw, set	六角穴付止メネジ	1	1	
17	A-10094	Gasket, main shaft seal	オイルシート	1	1	
18	A-10035	Assembly, seal-main shaft	主軸シール組	1	1	
19	H103212	Screw, hex HD	六角ボルト	4	4	
20	A-10038	Hub, pulley	プーリーハブ	1	1	(21)
21	SS142038	Screw, set	六角穴付止メネジ	2	2	
22	A-10199	Pulley, adjustable	プーリー組	1	1	(23)
23	SS142038	Screw, set	六角穴付止メネジ	2	2	
24	F103258	Screw, flat HD	六角ボルト	3	3	
25	A-10080	Assembly, connecting rod-knife	ボールジョイント	1	—	
26	H103212	Screw, hex HD	六角ボルト	1	—	
27	H103258	Screw, hex HD	六角ボルト	1	—	
28	A-10082	Crank, bell-knife	ベルクランク(ナイフ)	1	—	(29)
29	SS540316	Screw, set	六角穴付止メネジ	1	—	
30	P-10084	Ring, "O"	"O"リング	1	1	
31	A-10083	Shaft, bell crank-knife	ベルクランクピン	1	—	
32	A-10085	Bracket, pivot-knife	ブラケット	1	1	
33	H103212	Screw, hex HD	六角ボルト	4	4	
34	A-10087	Screw, pivot-knife	軸ネジ	1	—	
35	D-120	Washer, lock	平座金	1	—	
36	A-10086	Link, knife	リンク	1	—	
37	A-10056	Bushing, shaft-knife	ルーバー軸ブッシュ	1	—	
38	SS1032516	Screw, set	六角穴付止メネジ	1	—	
39	A-10088	Shaft, knife	ナイフ軸	1	—	
40	A-10089	Spring, knife	板バネ	2	—	
41	A-10090	Knife, moving	ナイフA	1	—	
42	A-10442	Plug	柱	—	1	
43	P-10441	Ring, "O"	"O"リング	—	1	

# 08 LOOPER ASSEMBLY PARTS

## ルーパー組立関係



図番 Ref. No.	部品番号 Part No.	部品名称 Description	固数 Q'ty		摘要 Remarks
			DS-10A	DS-10C	
1	C-10060	Looper (two thread)	1	1	
2	P540916	Screw, pan HD	1	1	
3	WF5	Washer	1	1	
4	A-10059	Holder, looper	1	1	(5, 6)
5	H103234	Screw, hex HD	1	1	
6	D208	Washer	1	1	
7	A-10076	Ass'y, seal-looper shaft	1	1	
8	H103212	Screw, hex HD	2	2	
9	A-10058	Gasket, seal-looper shaft	1	1	
10	B1035	Key	1	1	
11	A-10055	Shaft, looper	1	1	
12	A-10173	Ass'y, pivot-looper	1	1	(13, 14)
13	SC103212	Screw, socket HD cap	2	2	
14	WF10S	Washer	1	1	
15	A-10056	Bushing, shaft-looper	1	1	
16	SS1032516	Screw, set	1	1	
17	A-10150	Ass'y, cam-looper	1	1	(18, 19)
18	SS103258CPL	Screw, set-cone point	1	1	
19	SS103212L	Screw, set	1	1	

## NUMERICAL INDEX OF PARTS (パーツ索引)

PART NO.	PAGE	PART NO.	PAGE	PART NO.	PAGE	PART NO.	PAGE
A-10005	15	A-10083	27	A-10163	21	A-10426	9
A-10007	19	A-10085	27	A-10164	15,19	A-10427	11
A-10008	19	A-10086	27	A-10165	19	A-10429	9
A-10009	21	A-10087	27	A-10166	21	A-10430	9
A-10014	17	A-10088	27	A-10168	13	A-10434	17
A-10015	15	A-10089	27	A-10169	13	A-10437	9
A-10016	15	A-10090	27	A-10170	15	A-10440	9
A-10019	15	A-10091	15	A-10171	19	A-10442	27
A-10020	15	A-10092	9,17	A-10172	19	A-10443	9
A-10021	15	A-10093	15	<b>A-10173</b>	<b>28</b>	A-10446	17
A-10023	9,21	A-10094	15,27	A-10174	25	A-10449	17
A-10025	21	A-10095	17	A-10177	25	A-10484	23
A-10026	21	A-10097	15	A-10178	13	<b>A-10486</b>	<b>25</b>
A-10028	21	A-10098	15	A-10179	15	B-10022	15
A-10031	21	A-10100	17	<b>A-10181</b>	<b>21</b>	<b>B-10047</b>	<b>21</b>
A-10035	27	A-10101	13	A-10182	23	B-10050	13
<b>A-10038</b>	<b>27</b>	<b>A-10102</b>	<b>13</b>	A-10185	23	B-10077	25
A-10043	27	A-10103	13	A-10186	19	B-10123	19
A-10044	27	A-10105	13	A-10187	19	B-10137	21
A-10048	21	A-10106	13	A-10188	19	<b>B-10141</b>	<b>19</b>
A-10049	13	A-10109	25	A-10189	21	B-10145	19
A-10052	13	A-10113	21	A-10190	21	B-10167	13
A-10053	13	A-10114	19	<b>A-10191</b>	<b>13</b>	B-10432	9
A-10055	28	A-10115	19	<b>A-10199</b>	<b>27</b>	B-10485	17
A-10056	27,28	A-10116	15	A-10204	13	B1035	25,27,28
A-10058	27,28	A-10119	21	A-10211	21	C-100-S	21
<b>A-10059</b>	<b>28</b>	A-10120	19	A-10212	21	<b>C-10003</b>	<b>21</b>
<b>A-10061</b>	<b>13,27</b>	A-10121	15	A-10213	23	<b>C-10004</b>	<b>21</b>
A-10062	25	A-10124	25	A-10214	23	C-10017	15
<b>A-10063</b>	<b>25</b>	A-10127	13	A-10231	21	C-10018	15
A-10064	25	A-10128	21	A-10232	21	C-10045	27
A-10066	25	A-10130	13	A-10403	9	C-10060	28
A-10067	25	A-10134	15	A-10404	9	D10001	17
A-10068	25	A-10139	19	A-10405	9	D10002	19
A-10069	25	A-10142	19	A-10406	9	P-10226	15
<b>A-10070</b>	<b>25</b>	A-10143	19	A-10407	9	P-10227	15
A-10071	25	A-10144	19	A-10410	9	P-10413	9
A-10072	25	A-10146	19	A-10412	9	P-10428	11
A-10073	25	<b>A-10150</b>	<b>28</b>	A-10414	9	705021	9
A-10074	25	A-10155	23	A-10415	9	705031	9
A-10076	27,28	A-10156	23	A-10419	9		
<b>A-10078</b>	<b>25</b>	<b>A-10158</b>	<b>27</b>	A-10421	9		
<b>A-10079</b>	<b>25</b>	A-10159	21	A-10422	9		
A-10080	27	A-10161	19	A-10424	9		
<b>A-10082</b>	<b>27</b>	A-10162	23	A-10425	9		

NUMERICAL INDEX OF PARTS (パーツ索引)

PART NO.	PAGE	PART NO.	PAGE	PART NO.	PAGE	PART NO.	PAGE
<b>SCREW (ネジ類)</b>		SS103258CPL	28	<b>OTHER PARTS (其の他)</b>			
A-10011	21	SS142014	19,21	D05003	15		
B103212	13	SS142038	13,19,27	D07025	9		
B103214	11,15,17	SS142038CP	13,21,27	D07026	9		
B103238	19	SS540316	27	P-10010	19		
B632316	15,21			P-10013	19		
F1032114	15			P-10051	13		
F103212	9			P-10075	25		
F103238	15,17,21,25			P-10084	13,27		
F103258	15,23,27	<b>NUT (ナット類)</b>		P-10104	13		
F54038	21	NH832	17	P-10107	13		
F63212	21	NH1420	13,15	P-10111	15		
F63234	15	NH1428	9	P-10125	9,27		
F83212	17			P-10192	13		
F83214	15	NH1428L	19	P-10193	21		
H10321	13,15	NJ10	13,21,23	P-10408	9		
H1032114	13	1-178	19	P-10409	9		
H103212	9,13,15,17, 21,27,28			P-10411	9		
H103234	15,19,21,23, 28	<b>WASHER (ワッシャー類)</b>		P-10420	9		
H103238	21	A-10215	25	P-10423	9		
H103238R	23	D-120	19,27	P-10441	27		
H103258	9,25,27	D-208	15,25,28	T3129	9,21,27		
H103278	19	P-10438	9				
H3824134	19	WF5	28				
P540916	25,28	WF10	19				
SC103212	28	WF10S	28				
SC103258	27	WF14	15				
SC14201-L	9	WF38	19				
SC1420114	9,21	WN8	11,13,15				
SC142034	19	WN14	9,15				
SC142078	25	WS10	21				
SC142878	25	WS516	19				
SC516181	19						
SC5161858	19						
SC54012	25						
SC63234	21						
SC63278	13						
SS103212L	28						
SS1032316	9,11,13,21						
SS103238	21						
SS1032516	19,25,27,28						



## **NEWLONG MACHINE WORKS, LTD.**

- Head Office** : 4-14, Higashi Ueno 6-chome, Taito-ku, Tokyo 110, Japan  
Cable Address : NEWLONG TOKYO, Tel : 03-843-0269, 7311  
Telex : 265-5306 NL TOK J, FAX : 03-843-0260, 9998
- Osaka Branch** : 1-8, Obiraki 2-chome, Fukushima-ku, Osaka 553, Japan  
Cable Address : NEWLONG OSAKA, Tel : 06-466-3530, 3531  
Telex : 524-5680 NLOSA J, FAX : 06-465-5926
- Newlong Taiwan Machine Co., Ltd.** : 3rd Fl., 29, Lane 100, Song Chiang Road, Taipei, Taiwan, R. O. China  
Cable Address : NEWLONG TAIPEI, Tel : 02-5716524, 5642692  
FAX : 886-2-5221420
- Newlong Machine Philippines, Inc.** : 3590 Davila Street, Pasong Tamo, Makati, Metro Manila, Philippines  
Cable Address : NEWLONG MANILA, Tel : 8160207, 882474, 891137
- Newlong Singapore Pte. Ltd.** : No. 68, Kian Teck Road, Jurong Town, Singapore 2262  
Cable Address : NLMACHINE SINGAPORE, Tel : 2650901, 2612126, 2643942  
Telex : RS23649 A/B:NLSIN, FAX : 001-65-2651994
- Newlong Do Brasil Maquinas Industriais Ltda.** : Rua. Francisco Tapajós, 409/415, Jardim da Saúde, Sao Paulo, Brasil  
Cable Address : NEWLONG SAOPAULO, Tel : 276-9744  
Telex : 1121566 NEWL BR
- American-Newlong, Inc.** : 5310 South Harding Street, Indianapolis, Indiana 46217  
Tel : 317-787-9421  
Telex : TWX 810-341-3313 AMLONG IND. FAX : 317-786-5225
- Newlong Holland B.V.** : C/O World Trade Center Amsterdam Tower B, 9th Floor Strawinskylaan 929  
1077 XX Amsterdam, Holland  
Tel : 020-575-3121  
Telex : 18896 NLN NL FAX : 020-627-255 C/O WORLD TRADE CENTER
- Newlong Malaysia SDN BHD** : 77 Jalan SS20/11, Damansara Kim, 47400 Petaling Jaya, Selangor, Malaysia  
Tel : 7188323, 7188401  
Telex : 37868 NLMAS MA
- Newlong Thailand Ltd.** : 25/1 Soi-16, Sukhumvit Road, Bangkok, Thailand.  
Tel : 258-1834  
Telex : 21137 NLTHAI TH

編輯・検査 (T, Y, A)



4-14 HIGASHI-UENO 6-CHOME, TAITO-KU TOKYO, JAPAN TEL: (843) 0269

**No.1**

IE 3010A 85-12-500 ©

PRINTED IN JAPAN

From the library of: Superior Sewing Machine & Supply LLC